



## EGW42-E40

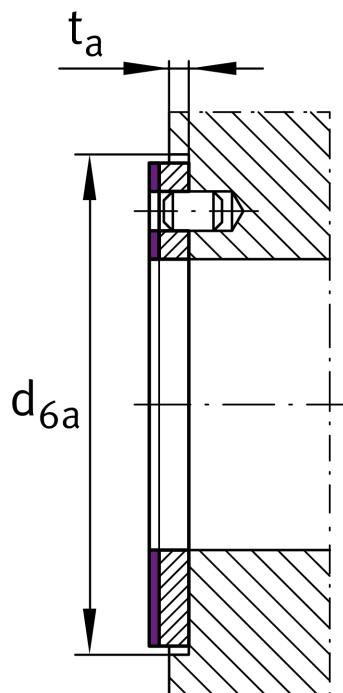
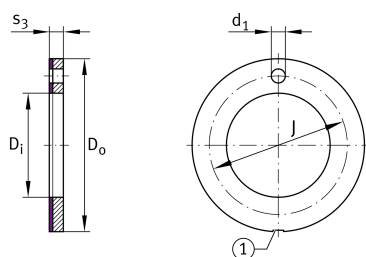
### Thrust washer

Schaeffler ID:  
0707050460000

Thrust washer, maintenance-free, material in accordance with ISO 3547-4, with steel backing



### Technical information



### Main Dimensions & Performance Data

$D_i$	42 mm	Inner diameter
$s_3$	1.5 mm	Wall thickness
$C_a$	285,000 N	Basic dynamic load rating, axial
$C_{0a}$	509,000 N	Basic static load rating, axial
	21.76 g	Weight

### Dimensions

J	54 mm	Pitch circle
$d_1$	4 mm	Fixing hole diameter
$t_a$	1 mm	Mounting dimension
$d_{6a}$	66 mm	Mounting dimension $d_{6a}$
$D_{iOT}$	0.25 mm	Inner diameter, upper tolerance
$D_{iUT}$	0 mm	Inner diameter, lower tolerance
$D_o$	66 mm	Outer Diameter
$D_{oOT}$	0 mm	Outside diameter, upper tolerance
$D_{oUT}$	-0.25 mm	Outside diameter, lower tolerance
$s_{3OT}$	0 mm	Wall thickness, upper tolerance
$s_{3UT}$	-0.05 mm	Wall thickness, lower tolerance
$J_{OT}$	0.12 mm	Pitch circle, upper tolerance
$J_{UT}$	-0.12 mm	Pitch circle, lower tolerance
$d_{1OT}$	0.4 mm	Fixing hole diameter, upper tolerance
$d_{1UT}$	0.1 mm	Fixing hole diameter, lower tolerance
$t_{aOT}$	0.2 mm	Mounting dimension, upper tolerance
$t_{aUT}$	-0.2 mm	Mounting dimension, lower tolerance
$d_{6aOT}$	0.12 mm	Mounting dimension $d_{6a}$ , upper tolerance
$d_{6aUT}$	-0.12 mm	Mounting dimension $d_{6a}$ , lower tolerance

**Temperature range**

T <sub>min</sub>	-200 °C	Operating temperature min.
T <sub>max</sub>	280 °C	Operating temperature max.